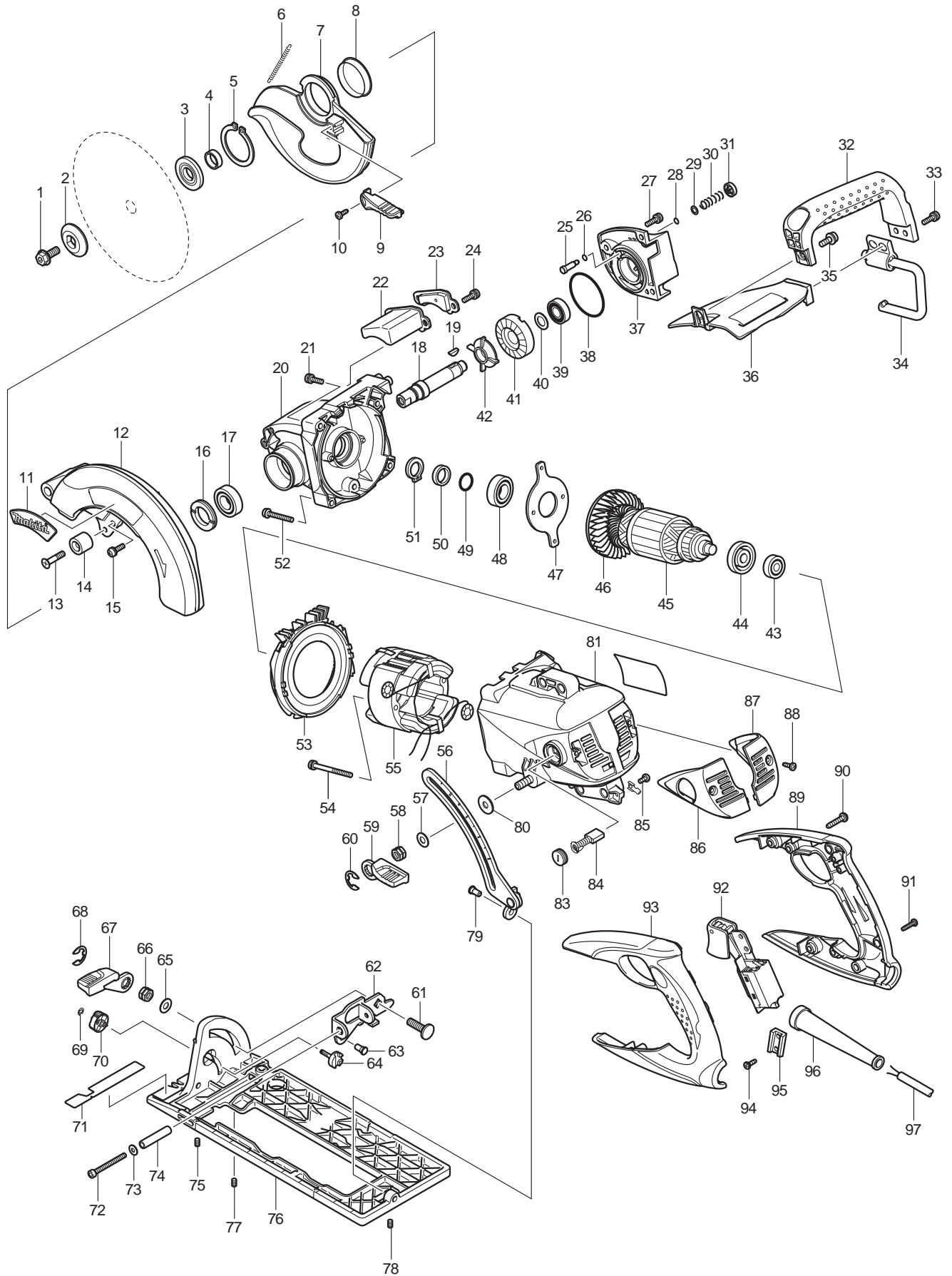




08 - 2010
5377MG
7-1/4" HYPOID SAW



Item No	Type	Ref	Part No	Description	Qty	Unit
1			266400-6	HEX. SOCKET HEX. BOLT M8X20	1	PC.
2			224275-9	OUTER FLANGE 40	1	PC.
3			224268-6	INNER FLANGE 40	1	PC.
4			257279-6	RING 17	1	PC.
5			961201-4	RETAINING RING S-42	1	PC.
6			231831-8	TENSION SPRING 4	1	PC.
7			318068-5	SAFETY COVER	1	PC.
8			345422-0	SPACER	1	PC.
9			272255-9	LEVER 50	1	PC.
10			266026-4	TAPPING SCREW BIND CT 4X12	1	PC.
11			819236-8	MAKITA LOGO PLATE	1	PC.
12			188203-7	BLADE CASE SET	1	PC.
		INC.		Item No. 11	1	PC.
13			251350-8	+ COUNTERSUNK HEAD SCREW M6X28	1	PC.
14			262553-9	RUBBER SLEEVE 6	1	PC.
15	2		266036-1	* PAN HEAD SCREW M5X18	3	PC.
16			285809-3	BEARING RETAINER 23-36	1	PC.
17			211251-2	BALL BEARING 6003LLB	1	PC.
18	2		324958-2	* SPINDLE	1	PC.
19			254001-2	WOODRUFF KEY 4	1	PC.
20	2		140706-9	* GEAR HOUSING COMPLETE	1	PC.
		INC.	213389-9	* OIL SEAL 22	1	PC.
		INC.	213306-9	* OIL SEAL 20	1	PC.
21			911228-4	PAN HEAD SCREW M5X18	2	PC.
22			421970-4	DECOMPRESSION CHAMBER	1	PC.
23			318079-0	PLATE	1	PC.
24			911228-4	PAN HEAD SCREW M5X18	2	PC.
25			256501-8	SHOULDER PIN 6	1	PC.
26			213005-3	O RING 5	1	PC.
27			911228-4	PAN HEAD SCREW M5X18	3	PC.
28			213005-3	O RING 5	1	PC.
29			253145-5	FLAT WASHER 6	1	PC.
30			233011-2	COMPRESSION SPRING 8	1	PC.
31			419589-1	CAP	1	PC.
32			419578-6	GRIP	1	PC.
33			911228-4	PAN HEAD SCREW M5X18	2	PC.
34			125346-4	HOOK ASS'Y	1	PC.
		INC.	233442-5	COMPRESSION SPRING 10	1	PC.
		INC.	257757-6	SLEEVE 10	1	PC.
		INC.	313135-1	JOINT	1	PC.
		INC.	951063-8	SPRING PIN 3-16	1	PC.
35			911323-0	PAN HEAD SCREW M6X16	1	PC.
36			158143-3	COVER COMPLETE	1	PC.
		INC.	810291-3	CAUTION LABEL	1	PC.
37			318066-9	BEARING BOX	1	PC.
38			213676-6	O RING 53	1	PC.
39			211104-5	BALL BEARING 6001	1	PC.
40			253744-3	FLAT WASHER 12	1	PC.
41			227504-9	HYPOID GEAR 36	1	PC.
42			240005-0	FAN 45	1	PC.
43			211061-7	BALL BEARING 6000LLB	1	PC.
44			681640-9	INSULATION WASHER	1	PC.

Item No	Type	Ref	Part No	Description	Qty	Unit
45			516981-3	ARMATURE ASS'Y 115V	1	PC.
		INC.		Item No. 43,44,46-51	1	PC.
46			241905-7	FAN 80	1	PC.
47			285727-5	BEARING RETAINER	1	PC.
48			211251-2	BALL BEARING 6003LLB	1	PC.
49			213226-7	O RING 16	1	PC.
50			257198-6	RING 17	1	PC.
51			961077-9	RETAINING RING S-17	1	PC.
52			911258-5	PAN HEAD SCREW M5X35	4	PC.
53			419573-6	BAFFLE PLATE	1	PC.
54			911676-7	PAN HEAD SCREW M5X55	2	PC.
55			526171-0	FIELD ASS'Y 115V	1	PC.
		INC.	654020-2	RING TERMINAL	2	PC.
		INC.	654502-4	CONNECTOR P-2	2	PC.
		INC.	689055-4	RING TERMINAL RETAINER 15.5 (Added)	2	PC.
		INC.	684790-9	VINYL TUBE (Added)	2	PC.
56			163470-5	DEPTH GUIDE	1	PC.
57			941201-0	FLAT WASHER 8	1	PC.
58			264006-4	HEX. NUT M8-13	1	PC.
59			272254-1	LEVER 59	1	PC.
60			257953-6	BOW STOP RING E-12	1	PC.
61			266227-4	CAP SQUARE NECK BOLT M8X28	1	PC.
62			345725-2	ANGULAR GUIDE	1	PC.
63	1		256480-0	SHOULDER PIN 6-7	1	PC.
	2		256511-5	SHOULDER PIN 6-7	1	PC.
64			324699-0	STOPPER PIN	1	PC.
65			941201-0	FLAT WASHER 8	1	PC.
66			264006-4	HEX. NUT M8-13	1	PC.
67			272254-1	LEVER 59	1	PC.
68			257953-6	BOW STOP RING E-12	1	PC.
69			961017-7	STOP RING E-3	1	PC.
70			419571-0	DIAL 22	1	PC.
71			816864-0	SCALE PLATE	1	PC.
72			922903-7	HEX. SOCKET HEAD BOLT M5X50	1	PC.
73			941101-4	FLAT WASHER 5	1	PC.
74			257761-5	SLEEVE 6	1	PC.
75			266229-0	H.S.SET SCREW(CUP POINT)M5X8	1	PC.
76			318071-6	BASE	1	PC.
77			266229-0	H.S.SET SCREW(CUP POINT)M5X8	1	PC.
78			266229-0	H.S.SET SCREW(CUP POINT)M5X8	1	PC.
79	1		256480-0	SHOULDER PIN 6-7	1	PC.
	2		256511-5	SHOULDER PIN 6-7	1	PC.
80			253022-1	FLAT WASHER 8	1	PC.
81			158141-7	MOTOR HOUSING COMPLETE	1	PC.
		INC.	643653-8	BRUSH HOLDER 6.5-13.5	2	PC.
		INC.	263002-9	RUBBER PIN 4	1	PC.
		INC.	266401-4	H.S.SET SCREW(FLAT POINT)M8X30	1	PC.
83			643650-4	BRUSH HOLDER CAP 6.5-13.5	2	PC.
84	1		181047-4	CARBON BRUSH CB-154 2PCS/SET W/O ORIGIN - N/L/A	1	SET
	2		194986-9	CARBON BRUSH CB-154 2PC/SET (W/ ORIGIN)	1	SET
85			652014-1	PAN HEAD SCREW M4X8	1	PC.
86			188184-5	REAR COVER SET	1	PC.
		INC.		Item No. 87	1	PC.

Item No	Type	Ref	Part No	Description	Qty	Unit
87			188184-5	REAR COVER SET	1	PC.
		INC.		Item No. 86	1	PC.
88			266026-4	TAPPING SCREW BIND CT 4X12	2	PC.
89			188185-3	HANDLE SET	1	SET
		INC.		Item No. 93	1	PC.
90			266041-8	TAPPING SCREW 5X25	4	PC.
91			265995-6	TAPPING SCREW 4X18	2	PC.
92			651189-3	SWITCH TG933TN-2	1	PC.
93			188185-3	HANDLE SET	1	SET
		INC.		Item No. 89	1	PC.
94	1		266020-6	TAPPING SCREW 4X12	2	PC.
	2		266427-6	TAPPING SCREW 4X12	2	PC.
95			687673-2	STRAIN RELIEF	1	PC.
96			682564-2	CORD GUARD	1	PC.
97			551688-4	POWER SUPPLY CORD ASSEMBLY	1	PC.
		INC.		Item No. 96	1	PC.
	Opt		664820-2	POWER SUPPLY CORD 3P-14-2.5M, SJ	1	PC.
98			961056-7	* RETAINING RING S-16 (Added)	1	PC.
99			232247-0	* CONED DISC SPRING 16 (Added)	2	PC.
ACCESSORIES			- See Catalogue or visit www.makita.ca for more optional accessories -			
A01	1		A-93625	T.C.T. SAW BLADE 185MM	1	PC.
	2		A-94530-10	7-1/4" FRAMING BLADE, 24T 5/8" 10PC/PK	1	PK.
A02			783204-6	HEX. WRENCH 6	1	PC.
A03	1		831271-6	TOOL BAG	1	PC.
	2		821007X	TOOL BAG	1	PC.

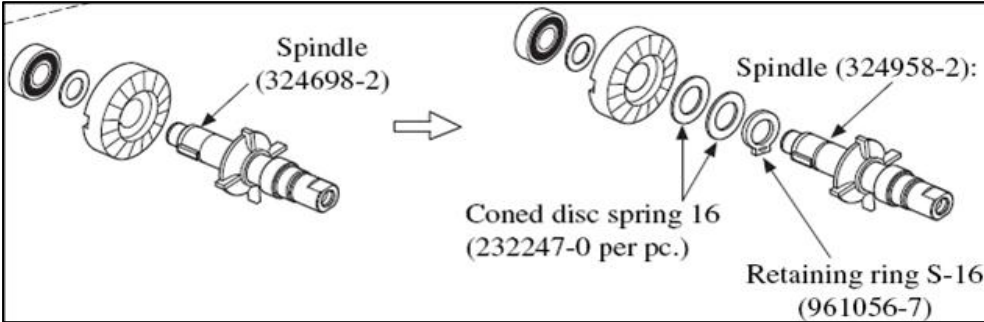
SERVICE CHANGES

1. Changes on Spindle

Item No.	Description	Type 1	Type 2
18	Spindle	324698-2	324958-2
98	Coned Disc Spring	-----	232247-0
99	Retaining Ring	-----	961056-7

Above parts are completely interchangeable as a set.

(T/l# 83065)



2. Changes of Gear Housing Complete, etc.

Item No.	Description	Type1	Type2
15	Screw	911228-4 (P.H.Screw M5x18)	266036-1 (Tapping Screw Bind CT 5x20)
20	Gear Housing Com.	158142-5	140706-9

Above parts are completely interchangeable as a set.

(T/l# 88586)

